

DRAWING DATE

6/1/03

TOLERANCES EXCEPT AS NOTED

X.X $\pm .031$
 X.XX $\pm .010$
 X.XXX $\pm .005$
 ANGLES $\pm 1/2^\circ$

DYNAMIC SEALING TECHNOLOGIES, INC

13941 LINCOLN ST NE ~ HAM LAKE, MN 55304
866-700-DSTI (3784)

CUSTOMER APPROVAL/DATE:

SH MTL/PLTING

CARBON STL
BLK OXIDE

CUSTOMER:
STOCK

THIS DOCUMENT CONTAINS INFORMATION WHICH IS PROPRIETARY TO DYNAMIC SEALING TECHNOLOGIES, INC. (DSTI) NO REPRODUCTION OR PUBLICATION OF THIS DOCUMENT OR IT'S CONTENTS, IN WHOLE OR PART, SHALL BE MADE WITHOUT THE WRITTEN CONSENT FROM DSTI.

HSG MTL/PLTING

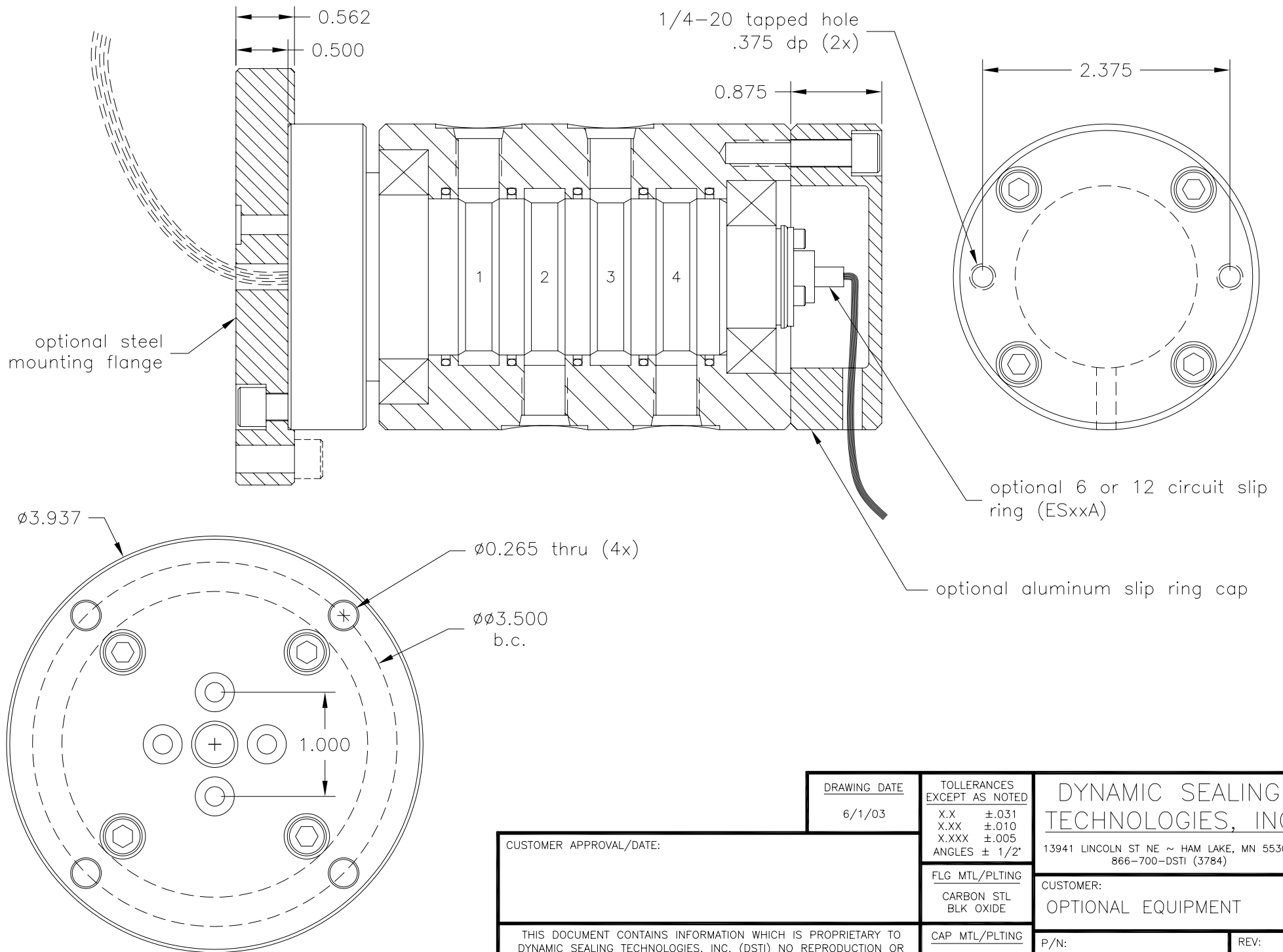
CARBON STL
BLK OXIDE

P/N:

1141

REV:

A



<u>DRAWING DATE</u>	TOLERANCES EXCEPT AS NOTED
6/1/03	X.X ±.031
	X.XX ±.010
	X.XXX ±.005
	ANGLES ± 1/2°

DYNAMIC SEALING TECHNOLOGIES, INC
 13941 LINCOLN ST NE ~ HAM LAKE, MN 55304
 866-700-DSTI (3784)

CUSTOMER APPROVAL/DATE:

FLG MTL/PLTING
 CARBON STL
 BLK OXIDE

CUSTOMER:
 OPTIONAL EQUIPMENT

THIS DOCUMENT CONTAINS INFORMATION WHICH IS PROPRIETARY TO DYNAMIC SEALING TECHNOLOGIES, INC. (DSTI) NO REPRODUCTION OR PUBLICATION OF THIS DOCUMENT OR IT'S CONTENTS, IN WHOLE OR PART, SHALL BE MADE WITHOUT THE WRITTEN CONSENT FROM DSTI.

CAP MTL/PLTING
 6061 ALUM
 BLUE ANODIZE

P/N: 1141-SEE NOTES
 REV: A